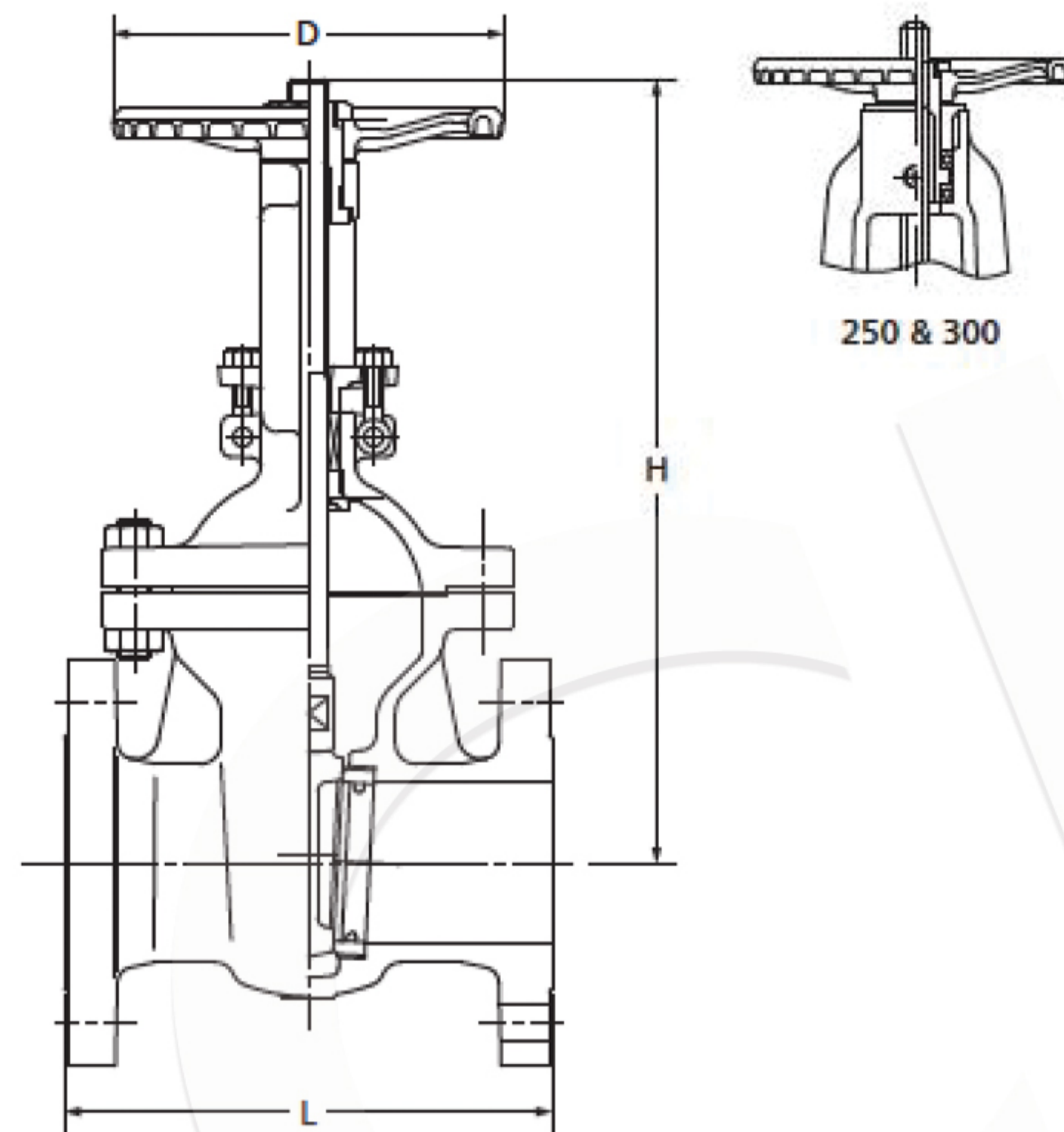
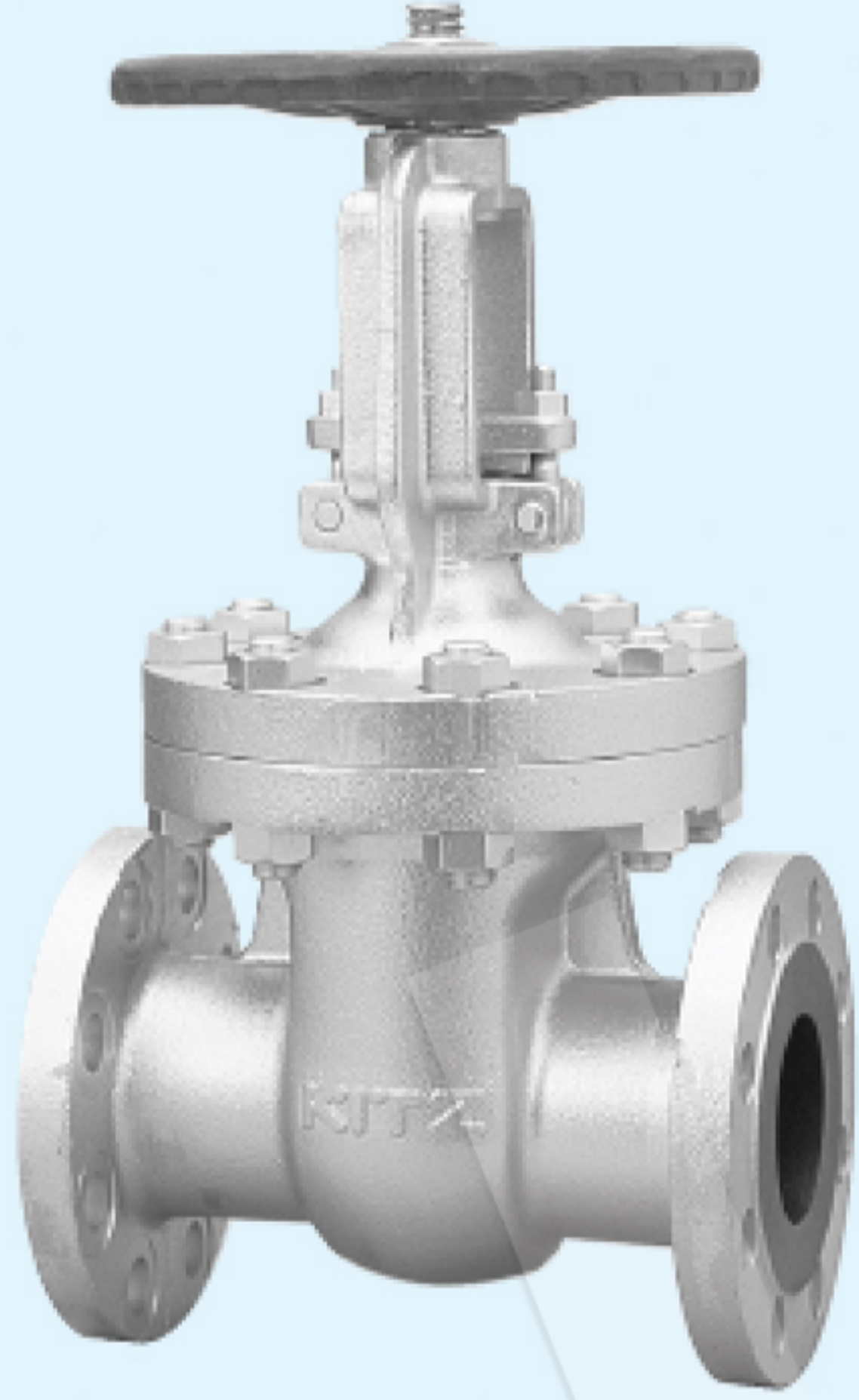


20K Gate Valve

20SLBO
B.B.O.S.Y.
RF-flanged



Face to face : JIS B 2002
End connection : JIS B 2239 20K

120°C Static water..... 2.8MPa
220°C Steam, air, gas, oil..... 2.5MPa
300°C Steam, air, gas, oil..... 2.3MPa
350°C Steam, air, gas, oil..... 2.0MPa

●Use for lubricating or hydraulic oil is acceptable.

Materials

Parts	JIS material
Body	FCD-S
Bonnet	FCD-S
Stem	SUS403
Disc	SUS403 (40 : SUS1)
Body seat ring	SUS403
Gland	FCD-S
Gland packing	Non-asbestos Packing
Handwheel	FCD400
Wheel nut	SS400
Bonnet bolt/nut	Carbon Steel
Gland bolt/nut	Carbon Steel
Yoke sleeve	C6782BE (150~200 : CAC302)
Gasket	Non-asbestos Sheet
Name plate	A1050P

Dimensions

Size	mm										
	mm	40	50	65	80	100	125	150	200	250	300
	inch	1½	2	2½	3	4	5	6	8	10	12
L		190	216	241	283	305	381	403	419	457	502
H (open)		326	395	450	520	595	725	820	1070	1247	1451
D		160	200	200	250	250	300	350	400	450	500

NOTE : For flange dimensions, refer to Page 44.